

Brocade

Exam 143-085

Brocade Certified Fabric Professional Gen 5

Verson: Demo

[Total Questions: 10]

Topic break down

Topic	No. of Questions
Topic 1: Product Features	1
Topic 2: Implementation and Configuration	1
Topic 3: SAN Management	1
Topic 4: Adaptive Networking and Fabric Vision	1
Topic 5: FC-FC Routing	1
Topic 6: Extension Features and Implementation	2
Topic 7: Advanced Troubleshooting	3

Topic 1, Product Features

Question No : 1 - (Topic 1)

Which three statements regarding MAPS are correct? (Choose three.)

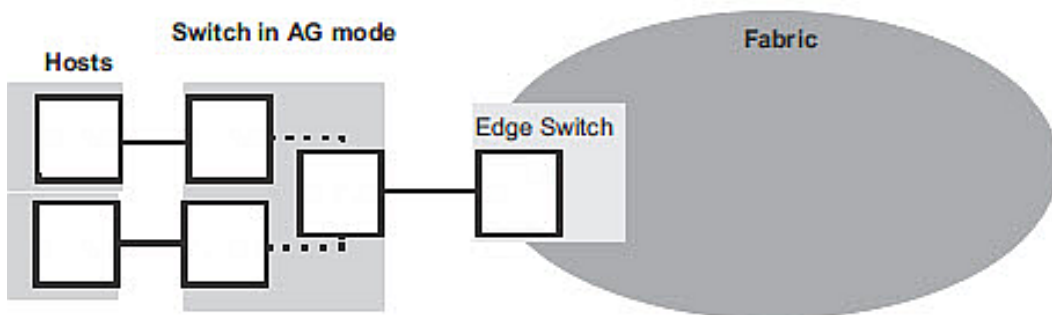
- A. Rules added to a MAPS policy are effective immediately.
- B. Fabric Watch thresholds must be converted to MAPS rules after enabling MAPS.
- C. Fabric Watch thresholds must be converted to MAPS rules prior to enabling MAPS.
- D. Changes made to a MAPS group are effective immediately.
- E. Default MAPS groups are updated automatically as ports go offline or online.

Answer: C,D,E

Topic 2, Implementation and Configuration

Question No : 2 - (Topic 2)

Refer to the exhibit.



In the exhibit, which two port types are used? (Choose two.)

- A. E
- B. N
- C. F
- D. EX

Answer: B,C

Topic 3, SAN Management

Question No : 3 - (Topic 3)

You want to capture performance data for a specific virtual host that is using NPIV.

How would you accomplish this task?

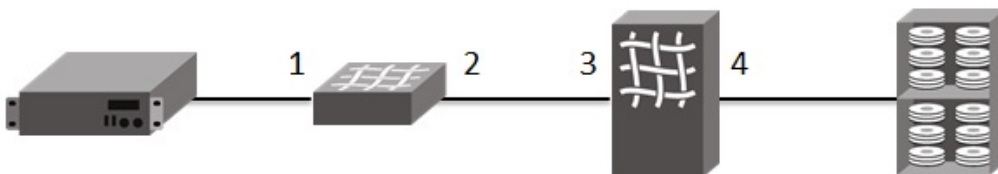
- A. Use Top Talkers.
- B. Use the portperfshow command.
- C. Use Flow Monitor
- D. Use the trunkshow command with the -perf option.

Answer: C

Topic 4, Adaptive Networking and Fabric Vision

Question No : 4 - (Topic 4)

Refer to the exhibit.



You need to enable Flow Mirror for a specific frame type between an initiator and a target.

Referring to the exhibit, where would you insert the Flow Mirror?

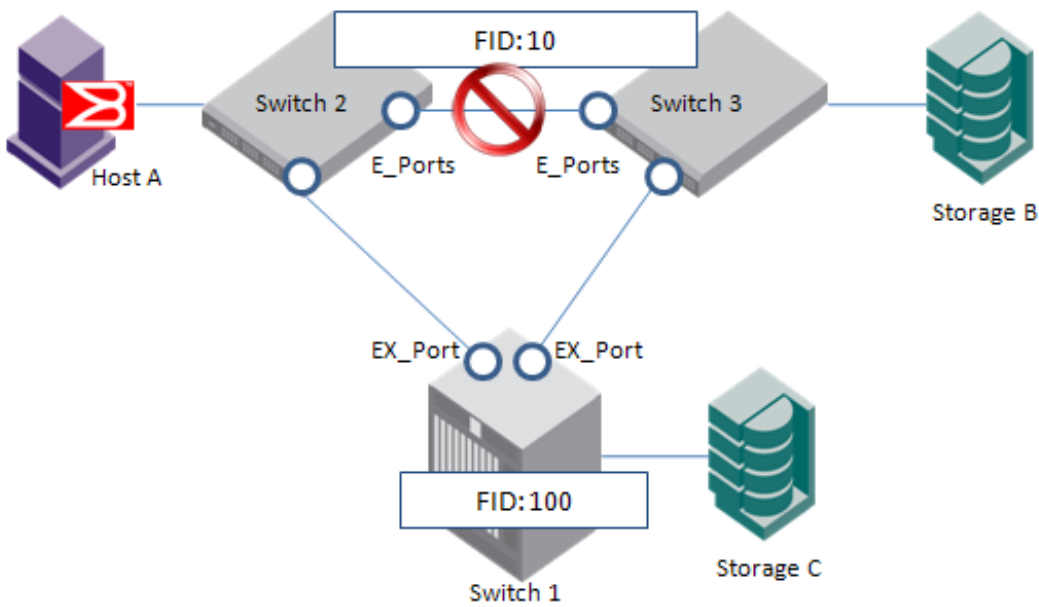
- A. 1
- B. 2
- C. 3
- D. 4

Answer: D

Topic 5, FC-FC Routing

Question No : 5 - (Topic 5)

Refer to the exhibit.



Referring to the exhibit, FC-FC routing has been properly configured. The ISL has failed.

Which statement is true?

- A. One of the IFLs will segment.
- B. FC-FC routing is not affected.
- C. New xlate domains will be created.
- D. A new FID will be dynamically created.

Answer: A

Topic 6, Extension Features and Implementation

Question No : 6 - (Topic 6)

You need to configure a long distance link that connects to a time-division multiplexer (TDM).

Which two statements are true? (Choose two.)

- A. You must disable QoS before configuring long distance.
- B. You must disable R_RDY Mode before configuring long distance.
- C. You must disable FC Fastwrite before configuring long distance.
- D. You must disable Credit Recovery before configuring long distance.

Answer: A,D

Question No : 7 - (Topic 6)

You are configuring an FCIP tunnel with four circuits. Two of the circuits will be active and the other two will be in standby in case of failure. You want to ensure that there are always at least two active circuits in the event of a failure.

Which two steps will accomplish this task? (Choose two.)

- A. Configure all the circuits as metric 1.
- B. Configure two circuits as metric 1 and two circuits as metric 0.
- C. Configure two failover groups consisting of a metric 1 and a metric 0 circuit per group.
- D. Configure two failover groups consisting of two metric 1 circuits in one group and two metric 0 circuits in the second group.

Answer: B,C

Topic 7, Advanced Troubleshooting

Question No : 8 - (Topic 7)

You have a routed fabric and want to expand the network by adding another switch. You have added an ISL between two switches and the switch remains segmented.

What is causing the problem?

- A. The xlate ID must be the same in both switches.
- B. The FID must be different in both switches.
- C. The xlate ID must be different in both switches.
- D. The FID must be the same in both switches.

Answer: D

Question No : 9 - (Topic 7)

Your fabric is running slow and you want to implement Top Talkers to locate the congestion in the fabric.

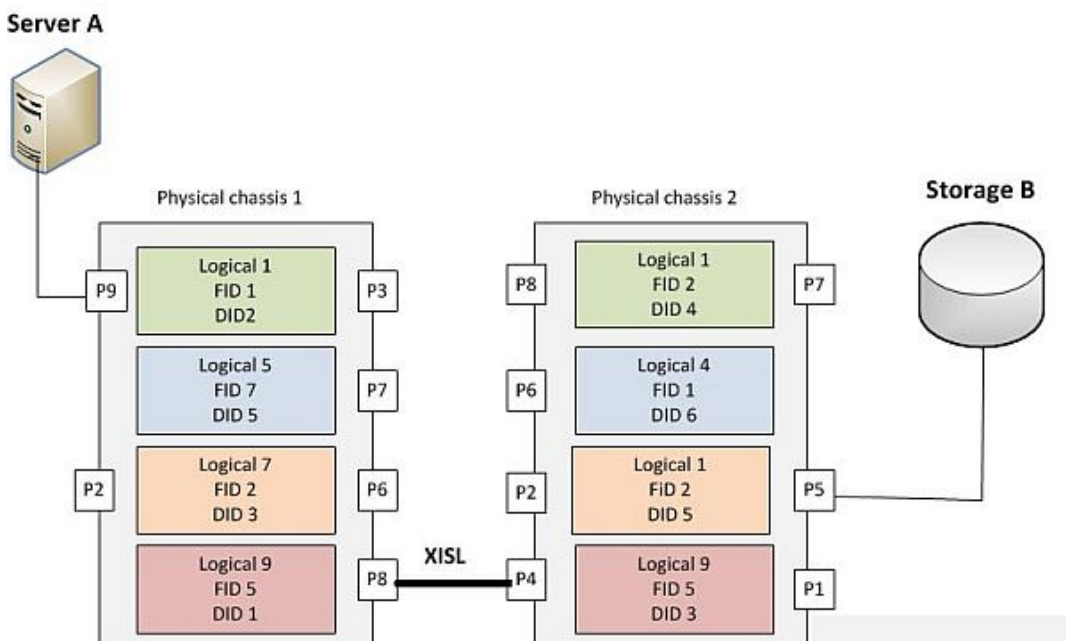
Which two statements are true about Top Talker monitors? (Choose two.)

- A. Fabric mode Top Talker monitors and EE monitors can exist in the same fabric.
- B. They cannot detect spikes in traffic through a given flow.
- C. Only 10,000 flows in the fabric can be monitored at a time.
- D. Fabric mode Top Talker monitors can monitor flows over EX_Ports.

Answer: B,C

Question No : 10 - (Topic 7)

Refer to the exhibit.



Referring to the exhibit, you have connected Server A to the fabric and it cannot see Storage B.

What would resolve this problem?

- A.** The DID must be the same for Server A to see Storage B.
- B.** The FID must be the same for Server A to see Storage B.
- C.** The Logical switch ID must be different for Server A to see Storage B.
- D.** Server A is not zoned to Storage B.

Answer: B