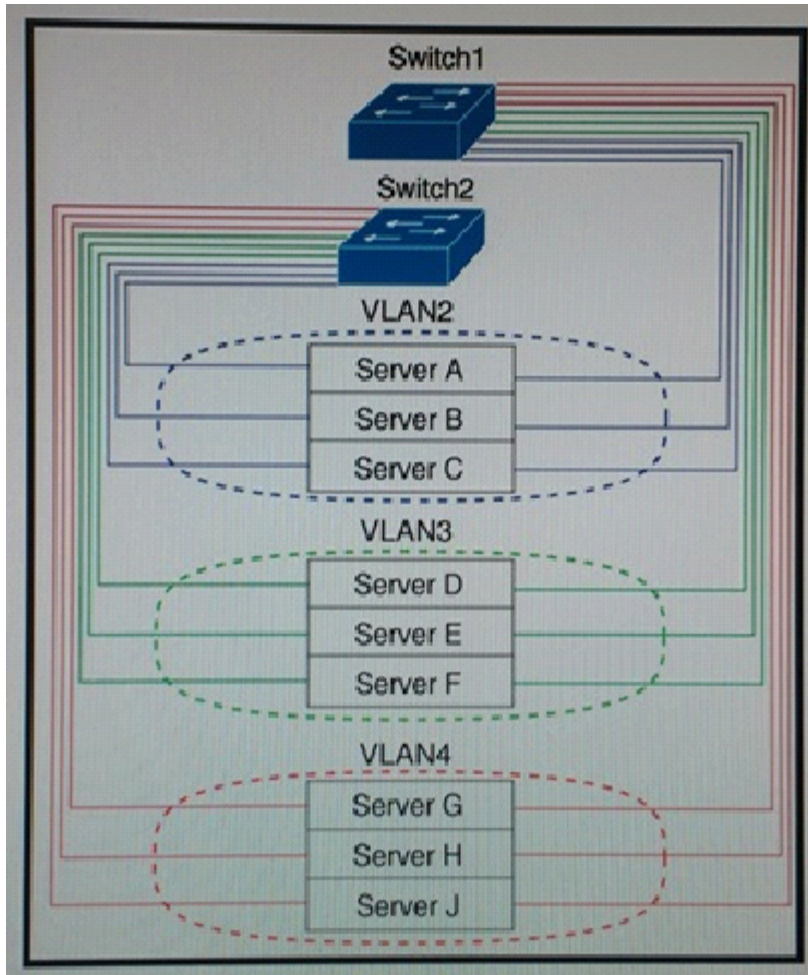


Version: 9.2

Question: 1



Refer to the exhibit. Two Layer 2 Cisco Nexus switches are connected to application servers in a data center. Server A cannot communicate with servers that are in VLANs 3 and 4, but it can communicate with server B and C. What is the cause of the problem?

- A. inter VLANs routing is not enabled on both switches
- B. Switch 1 and switch 2 are not physically connected via an access link.
- C. A router must be connected to both switches and provide inter VLAN routing.
- D. Switch 1 and switch 2 not physically connected via a trunk link.

Answer: C

Question: 2

Which two options describe functions of the data center aggregation layer? (Choose two)

- A. services layer

- B. high-speed packet switching O repeater
- C. access control
- D. QoS marking

Answer: AC

Question: 3

Which two options are valid VTP commands? (Choose two)

- A. feature vtp
- B. vtp client mode
- C. vtp VLAN
- D. vtp version
- E. vtp static

Answer: A,D

Question: 4

Which two features must be licensed on a Cisco Nexus 7000 Switch? (Choose two)

- A. Virtual Port Channel
- B. Layer 3
- C. Virtual Device Contexts
- D. iSCSI
- E. Fibre Channel

Answer: BC

Explanation:

Layer 3 license - Enterprise Services Package - LAN_ENTERPRISE_SERVICES_PKG

Virtual Device Contexts license - Advanced Services Package -LAN_ADVANCED_SERVICES_PKG

http://www.cisco.com/c/en/us/td/docs/switches/datacenter/sw/nx-os/licensing/guide/b_Cisco_NX-OS_Licensing_Guide/b_Cisco_NX-OS_Licensing_Guide_chapter_01.html

Question: 5

Which two options are multicast addresses? (Choose two.)

- A. FD00::2
- B. 192.168.2.2
- C. FF05::2
- D. 226.10.10.10
- E. 240.1.0.1

Answer: CD

Question: 6

What is the minimum number of fabric modules that should be installed in the Cisco Ne*js 7000 chassis for N 1 redundancy using MI-Series line card?

- A. 3
- B. 4
- C. 5
- D. 6

Answer: A

Question: 7

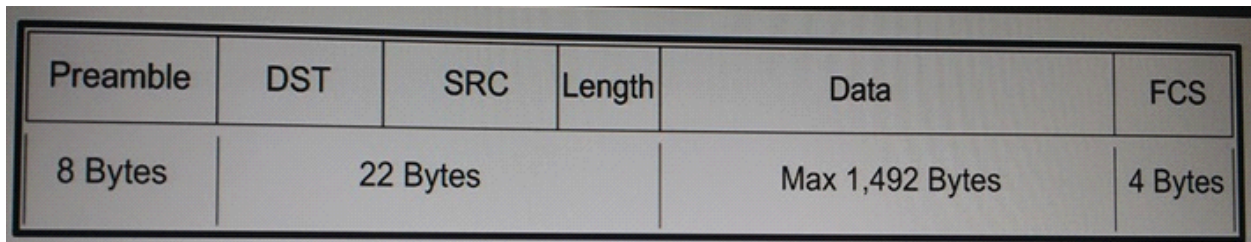
What layer of the OSI Model provides the logical addressing that routers use for path determination?

- A. transport
- B. network
- C. application
- D. presentation

Answer: B

Question: 8

Refer to the exhibit.



What type of network communication is depicted?

- A. 802.3 frame
- B. TCP packet
- C. UDP packet
- D. Ethernet frame

Answer: A

Question: 9

Which type of media uses electromagnetic waves that are generated by lasers, is often used in campus backbones, and is capable of transmitting to a distance of 60 kilometers?

- A. shielded twisted-pair cable
- B. coaxial cable
- C. multimode fiber-optic cable
- D. single-mode fiber-optic cable

Answer: C

Question: 10

A network engineer wants to apply for new license key file. Which command should be used to obtain the switch serial number?

- A. MDS-A# show license serial-number
- B. MDS- A# show running-config | include serial-number
- C. MDS- A# show host-id
- D. MDS- A# show license host-id

Answer: D
