

Version: 15.0

Question: 1

Which two statements about designing the Data Center Access layer are correct? (Choose two.)

- A. Multiport NIC servers should each have their own IP address.
- B. Layer 3 connectivity should never be used in the access layer.
- C. Layer 2 connectivity is primarily implemented in the access layer.
- D. Multiport NIC servers should never be used in the access layer.
- E. Layer 2 clustering implementation requires servers to be Layer 2 adjacent.

Answer: C,E

Question: 2

An organization needs a WAN Transport technology that meets these criteria:

- has a low initial cost
- provides low-to-medium BW
- has medium-to-high latency and jitter

Which technology should the organization use?

- A. DSL
- B. X.25
- C. ISDN
- D. wireless
- E. analog modem

Answer: A

Question: 3

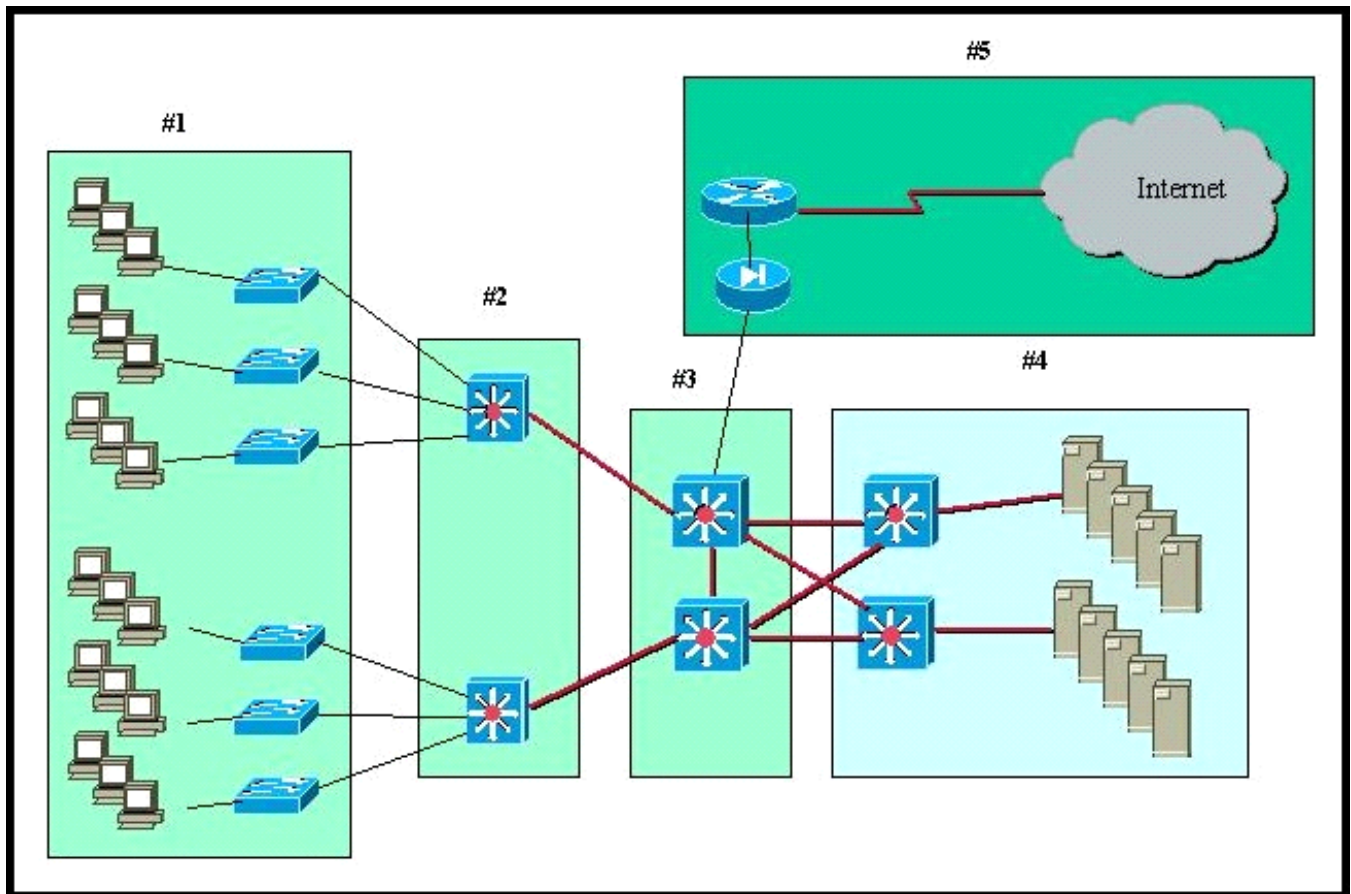
Which two of these are scalability benefits of designing a network that utilizes VPNs? (Choose two.)

- A. extends the network to remote users
- B. allows networks to be set up and restructured quickly
- C. reduces dial infrastructure expenditures
- D. reduces the number of physical connections
- E. simplifies the underlying structure of a customer WAN

Answer: D,E

Question: 4

Refer to the exhibit.



A standard Layer 2 campus network design is pictured. Which numbered box represents the core layer?

- A. #1
- B. #2
- C. #3
- D. #4
- E. #5

Answer: C

Question: 5

Which two design criteria require VLANs in a proposed solution? (Choose two.)

- A. video streaming on the LAN
- B. security between departments
- C. the segmenting of collision domains
- D. the segmenting of broadcast domains
- E. the use of multivendor equipment
- F. a limited corporate budget

Answer: B,D

Question: 6

Which three sources does a network designer use to collect information for characterizing an existing network? (Choose three.)

- A. staff input
- B. visual inventory
- C. network audit
- D. traffic analysis
- E. server statistics

Answer: A,C,D

Question: 7

Which Cisco security mechanism has the attributes listed below?

- it is a sensor appliance
- it searches for potential attacks by capturing and analyzing traffic
- it is a "purpose-built device"
- it is installed passively
- it introduces no delay or overhead

- A. IKE
- B. PIX
- C. HIPS
- D. NIDS
- E. HMAC

Answer: D

Question: 8

Which three pieces of information should be documented for each step in a design implementation plan? (Choose three.)

- A. step description
- B. design document references
- C. easy guidelines in case of failure
- D. estimated implementation time
- E. simple implementation guidelines
- F. estimated rollback time in case of failure

Answer: A,B,D

Question: 9

A company is implementing an Identity Management solution with these characteristics:

- existing AAA Server
- Cisco Catalyst switches
- minimal added investments

Which Cisco Trust and Identity Management solution would you recommend?

- A. NAC Appliance
- B. Cisco IBNS
- C. CSM
- D. Cisco Security MARS

Answer: B

Question: 10

Which Cisco device management feature is most suited to metering network traffic and providing data for billing network usage?

- A. BGP
- B. Cisco Discovery Protocol
- C. QoS
- D. RMON
- E. NetFlow

Answer: E

Question: 11

What are three valid methods of gathering information about an existing data network? (Choose three.)

- A. Use organizational input.
- B. Perform a traffic analysis.
- C. Analyze the user-mapping of a running application.
- D. Perform a packet-level audit to verify carrier service guarantees.
- E. Perform a network audit to gather more detail about the network.
- F. Use reports that analyze the metrics of the customer's existing network.

Answer: A,B,E

Question: 12

Which two routing protocols converge most quickly? (Choose two.)

- A. RIPv1
- B. RIPv2
- C. BGP
- D. OSPF
- E. EIGRP

Answer: D,E

Question: 13

What is the benefit of VLSM?

- A. reduces configuration complexity by using the same subnet mask length
- B. reduces the routing table size by using automatic route summarization
- C. reduces the routing table size by using manual route summarization
- D. allows the subnet mask and classful routing updates to be advertised
- E. secures the hosts on a subnet by using RFC 1918 addresses

Answer: C

Question: 14

You want to gather as much detail as possible during a network audit with a minimal impact on the network devices themselves.

Which tool would you use to include data time stamping across a large number of interfaces while being customized according to each interface?

- A. RMON
- B. SNMPv3
- C. NetFlow
- D. Cisco Discovery Protocol

Answer: C

Question: 15

What is the primary consideration when choosing a routed network design over a traditional campus network design?

- A. Layer 3 service support at the network edge
- B. the routing protocol choice: open (OSPF) or proprietary (EIGRP)
- C. the routing abilities of the host devices
- D. the need to control the broadcast domains within the campus core

Answer: A
