

Huawei

HC-224 Exam

Huawei Certified Datacom Professional - Fast Certification – ENU

**Questions & Answers
Demo**

Version: 7.7

Topic 1, Volume A

Question: 1

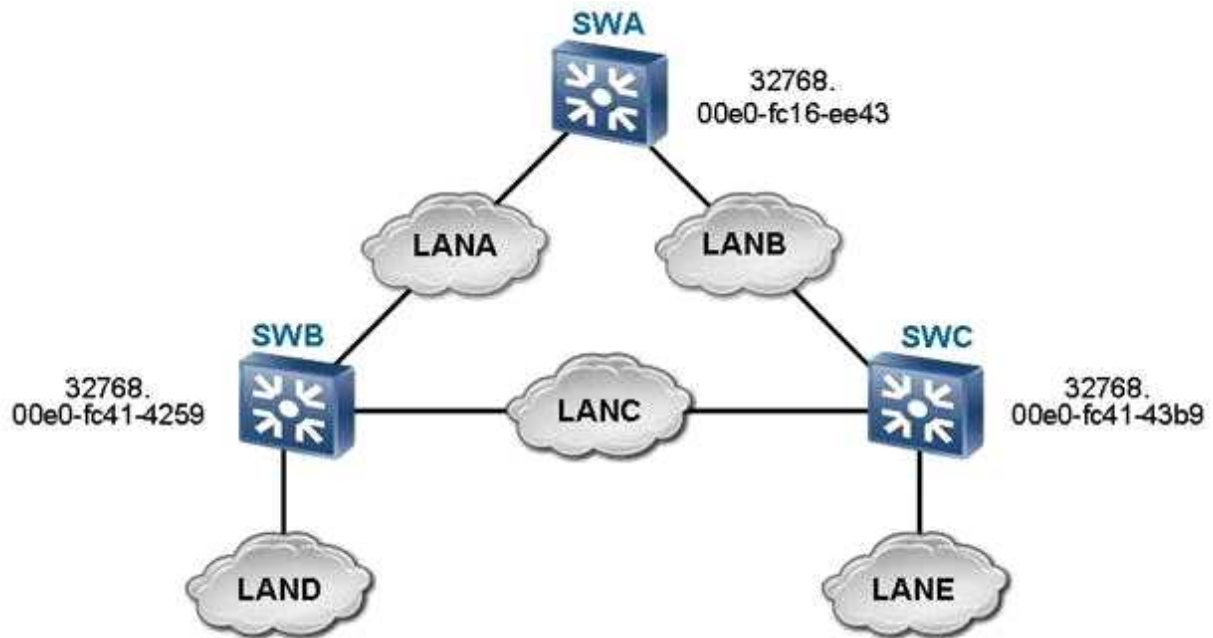
```
[SWA]display stp brief
MSTID      Port                Role  STP State  Protection
0          Ethernet1/0/12     DESI  FORWARDING NONE
0          Ethernet1/0/15     ROOT  FORWARDING NONE
1          Ethernet1/0/12     DESI  FORWARDING NONE
1          Ethernet1/0/15     DESI  FORWARDING NONE
2          Ethernet1/0/12     DESI  FORWARDING NONE
2          Ethernet1/0/15     ROOT  FORWARDING NONE
```

On the MSTP network as shown in the figure, what is the role of the switch in MSTI 1 according to the configuration?

- A. Root switch
- B. Slave switch
- C. Non-root switch
- D. None of the above

Answer: A

Question: 2



As shown in the figure, which switch is the root switch according to the configuration?

- A. SWA
- B. SWB
- C. SWC
- D. None of the above

Answer: A

Question: 3

If an MSTP switch detects that the neighboring switch works in RSTP mode, which mode does the MSTP switch work?

- A. STP mode
- B. RSTP mode
- C. MSTP mode
- D. All of the above

Answer: B

Question: 4

Which problems on a single spanning tree network can be solved by MSTP? (Select 3 Answers)

- A. Traffic forwarding paths in some VLANs are faulty.
- B. Traffic cannot be load balanced.
- C. The second best path problem may occur.

D. The network reliability cannot be improved.

Answer: A, B, C

Question: 5

```
[SWC]display stp brief
```

MSTID	Port	Role	STP State	Protection
0	Ethernet1/0/2	DESI	FORWARDING	NONE
0	Ethernet1/0/3	DESI	FORWARDING	NONE
0	Ethernet1/0/12	ALTE	DISCARDING	NONE
0	Ethernet1/0/13	ROOT	FORWARDING	NONE
1	Ethernet1/0/2	DESI	FORWARDING	NONE
1	Ethernet1/0/12	ROOT	FORWARDING	NONE
1	Ethernet1/0/13	ALTE	DISCARDING	NONE
2	Ethernet1/0/3	DESI	FORWARDING	NONE
2	Ethernet1/0/12	ALTE	DISCARDING	NONE
2	Ethernet1/0/13	ROOT	FORWARDING	NONE

According to the figure, what is the status of Ethernet1/0/13 in MSTI 1?

- A. Forwarding
- B. Discarding
- C. Learning
- D. None of the above

Answer: B

Question: 6

In RSTP, which statements about the alternate port and backup port are true? (Select 2 Answers)

- A. The alternate port is a backup of the root port.
- B. The backup port is a backup of the designated port.
- C. The switch that the backup port belongs to is not the designated switch on the network segment connected to the interface.
- D. The switch that the alternate port belongs to is the designated switch on the network segment connected to the interface.

Answer: A, B

Question: 7

According to the MSTP protocol, each MST instance calculates an independent spanning tree by using the RSTP algorithm.

- A. True
- B. False

Answer: A

Question: 8

The following is the command output on a root switch of an MSTP region. How many switches are located in the MSTP region?

- A. Less than 10
- B. Less than 20
- C. Less than 30
- D. Less than 40

Answer: C

Question: 9

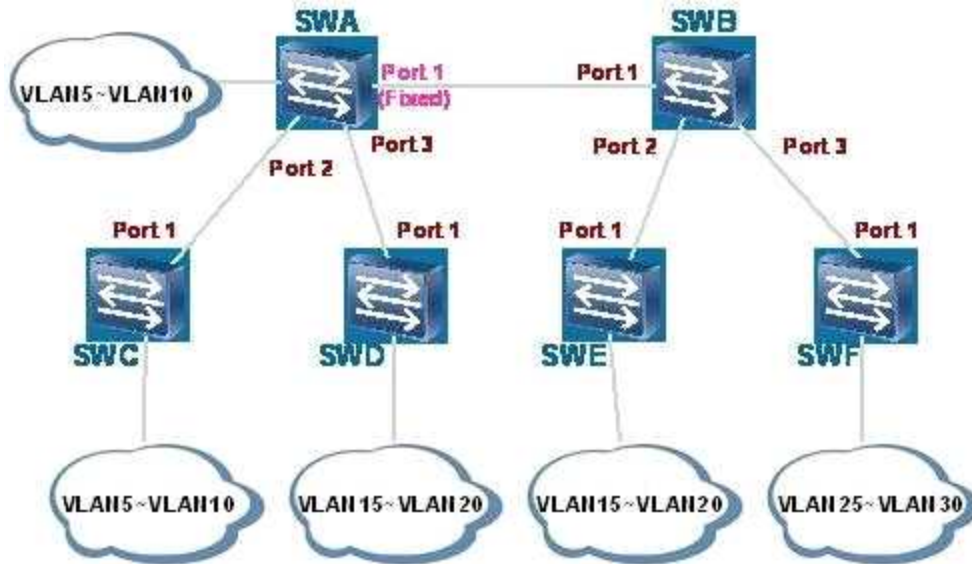
On the RSTP network with STP devices, which packets does an RSTP switch use to notify the STP switches of the topology change?

- A. RSTP BPDUs with the TC flag
- B. STP BPDUs with the TCN flag
- C. RSTP BPDUs with the TCA flag
- D. STP BPDUs with the TCA flag

Answer: B

Question: 10

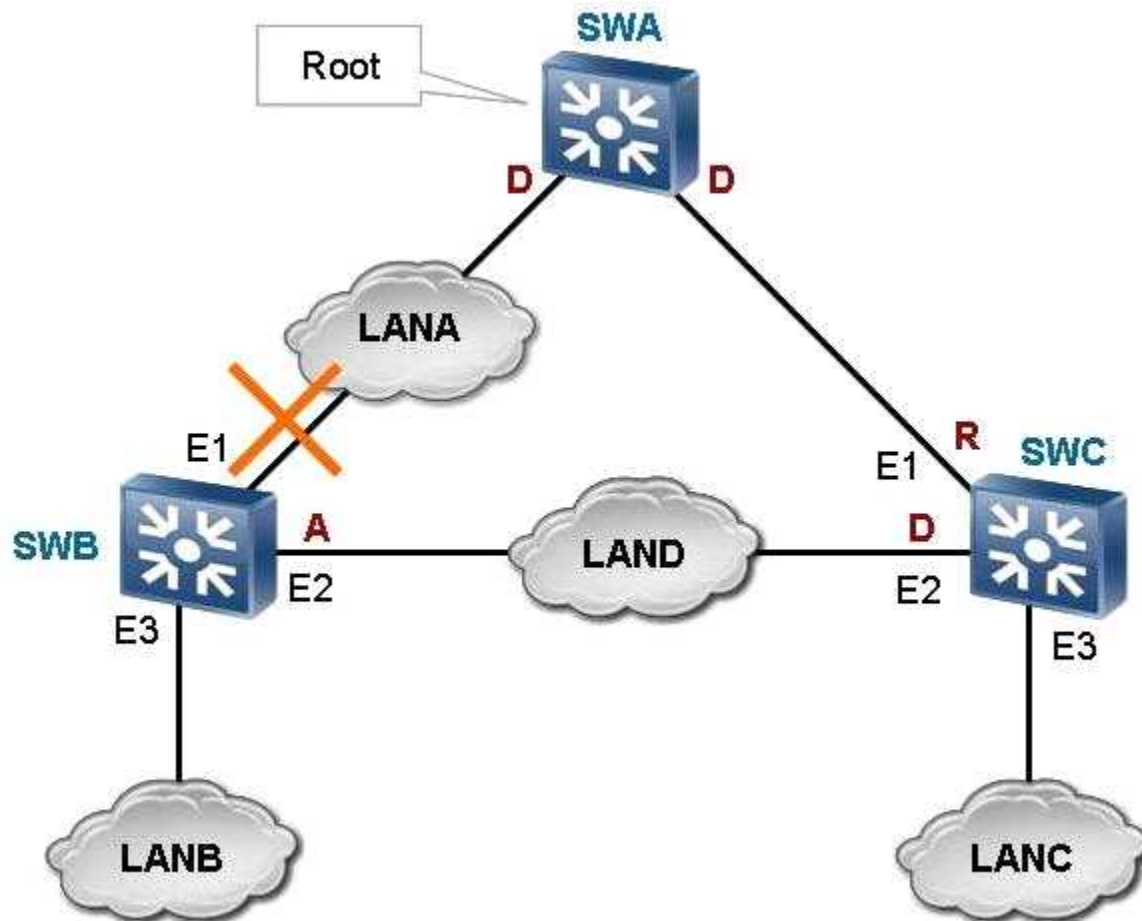
What are the same fields in RSTP BPDUs and STP BPDUs? (Select 2 Answers)



- A. TCN
- B. TC
- C. TCA
- D. All of the above

Answer: B, C

Question: 11



On the RSTP network as shown in the figure, what RSTP operations will occur after the E1 port of SWB fails? (Select 3 Answers)

- A. SWB deletes the MAC address entries with the E1 port as the destination interface.
- B. The spanning tree is recalculated and the E2 port is elected as the new root port.
- C. All the interfaces in forwarding state send topology change notifications (TCNs) to notify other switches of the topology change.
- D. All the non-edge ports in forwarding state send TCNs to notify other switches of the topology change.

Answer: A, B, D

Question: 12

Which is the port state defined in RSTP?

- A. Discarding
- B. Learning
- C. Forwarding
- D. All of the above

Answer: D

Question: 13

RSTP has all functions that STP has and it is backward compatible with STP.

- A. True
- B. False

Answer: A

Question: 14

RSTP adopts fast convergence mechanism. So, there is no Forward Delay interval in RSTP.

- A. True
- B. False

Answer: B

Question: 15

Two switches are directly connected to each other and they are working in full duplex mode. By default, RSTP will consider the link between the switches as point-to-point link.

- A. True
- B. False

Answer: A

Question: 16

In RSTP network environment, a port can be set as edge port when it is directly connected with terminal.

- A. True
- B. False

Answer: A

Question: 17

Which of the following statements about RSTP and STP is true?

- A. STP has more port states than RSTP.
- B. The port roles used in RSTP is less than the port roles used in STP.
- C. Since RSTP adopts fast convergence mechanism, it does not have Learning state which is available in

STP.

D. Same as STP, the ports will enter into Listening state once the RSTP has been enabled. Then, the ports can receive BPDU and calculate the spanning tree.

Answer: A

Question: 18

In a switching network that runs RSTP, the topology change notification message will not be sent when the switch detects that the Alternate Port is failed.

- A. True
- B. False

Answer: A

Question: 19

When the topology of a network running RSTP changes, what happens after the change?

- A. Flooding on the entire network.
- B. The aging time of MAC address entries is changed.
- C. Some MAC address entries are deleted.
- D. All of the above

Answer: C

Question: 20

Which ports defined by RSTP cannot work in Forwarding state? (Select 2 Answers)

- A. Root Port
- B. Designated Port
- C. Backup Port
- D. Alternate Port

Answer: C, D

Question: 21

On an RSTP network, when an edge port is in protected state, what operation is performed after the edge port receives BPDUs?

- A. The edge port forwards BPDUs.
- B. The edge port discards BPDUs.

- C. The edge port is shut down.
- D. The edge port obtains required information from BPDUs.

Answer: C

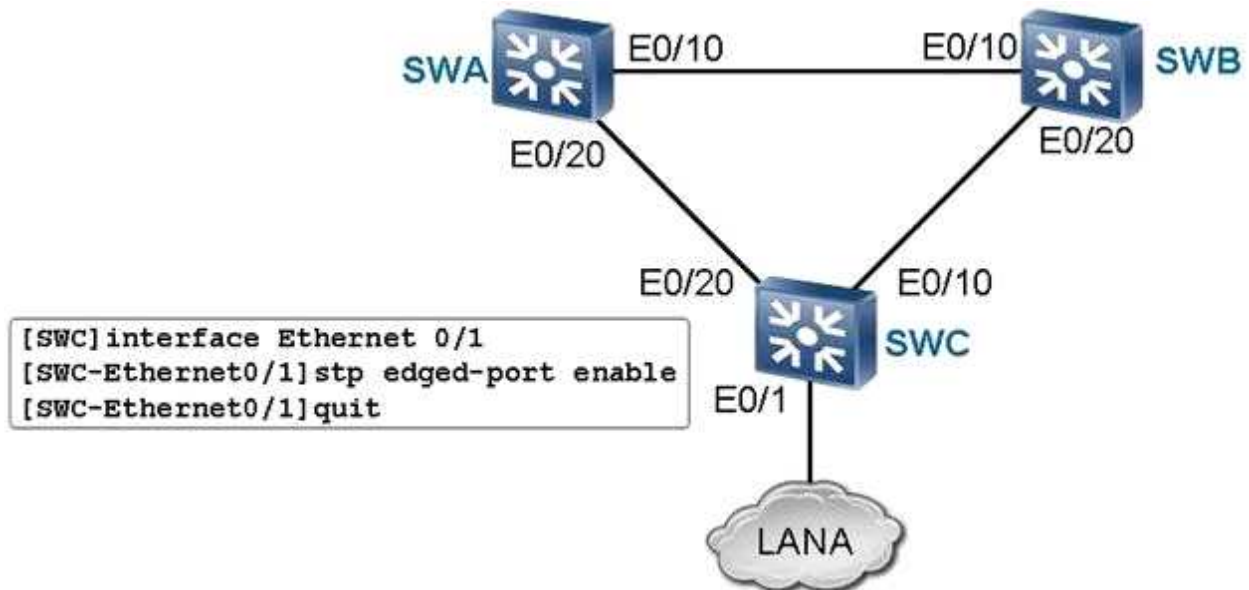
Question: 22

In RSTP, the port status can be discarding and learning. Which statements about the port status are true? (Select 2 Answers)

- A. The port in discarding or learning state does not forward data frames.
- B. The port in discarding state does not learn MAC addresses.
- C. The port in learning state does not learn MAC addresses.
- D. All of the above

Answer: A, B

Question: 23

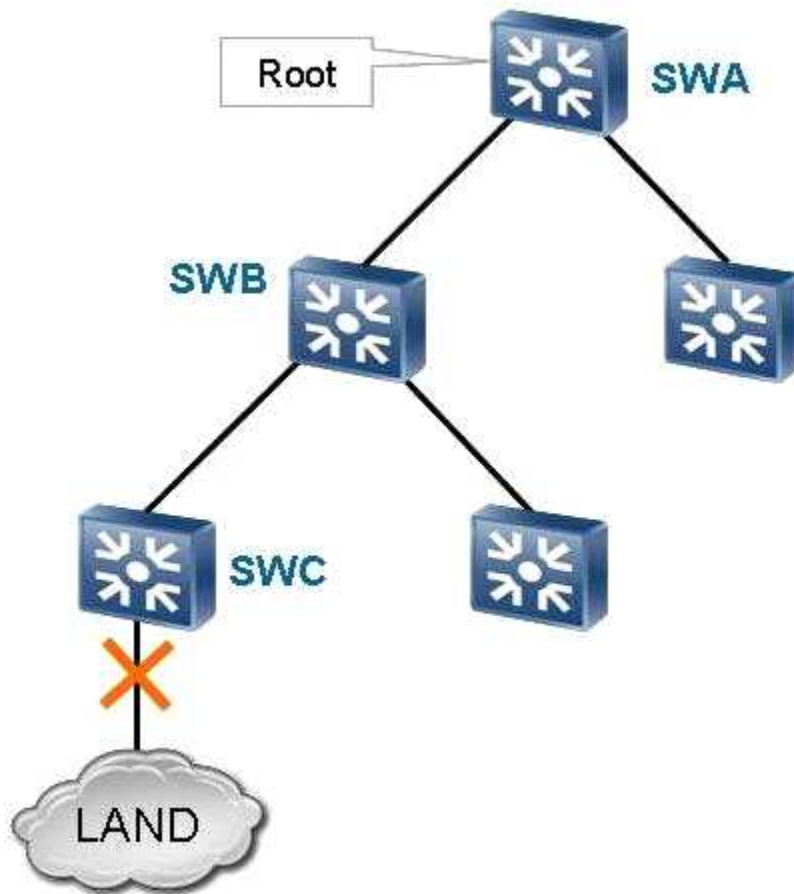


On the RSTP network as shown in the figure, what is the port role of SWC E0/1 according to the configuration? (Select 2 Answers)

- A. Designated port
- B. Root port
- C. Alternate port
- D. Edge port

Answer: A, D

Question: 24

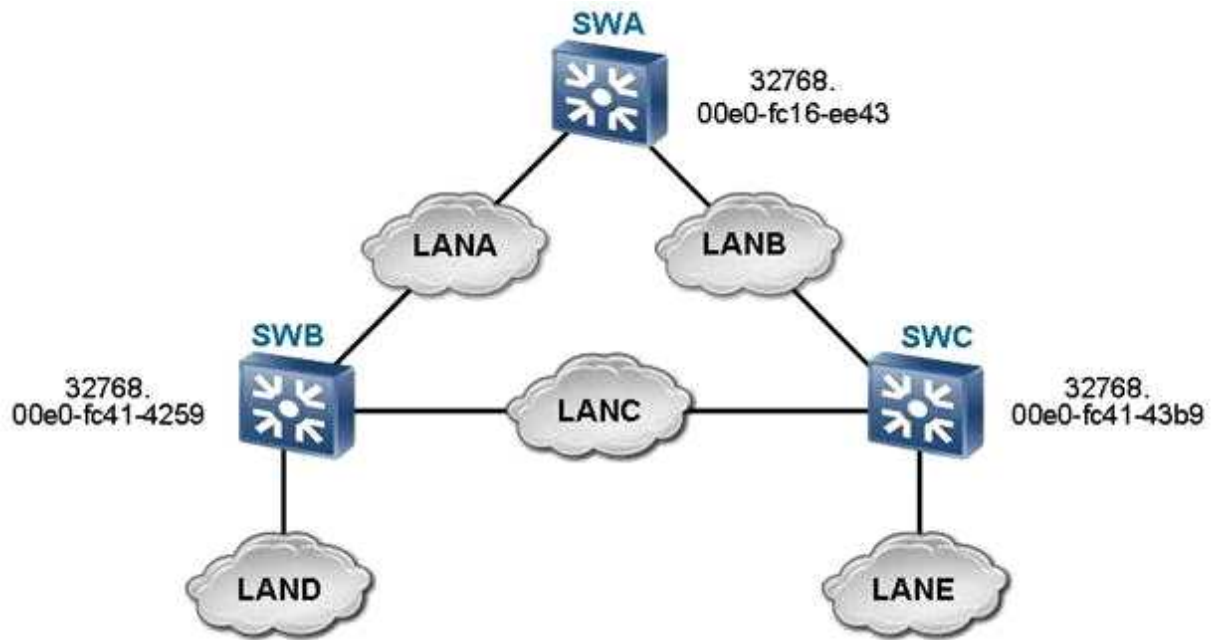


As shown in the figure, when the link between SWC and LAND is faulty, through which path are TCA BPDUs sent?

- A. From SWA to SWB
- B. From SWB to SWC
- C. From SWB to SWA
- D. From SWC to SWB

Answer: B

Question: 25



As shown in the figure, when the STP network runs properly, which device does the designated port of LANC reside?

- A. SWA
- B. SWB
- C. SWC
- D. None of the above

Answer: B
