
Question: 1



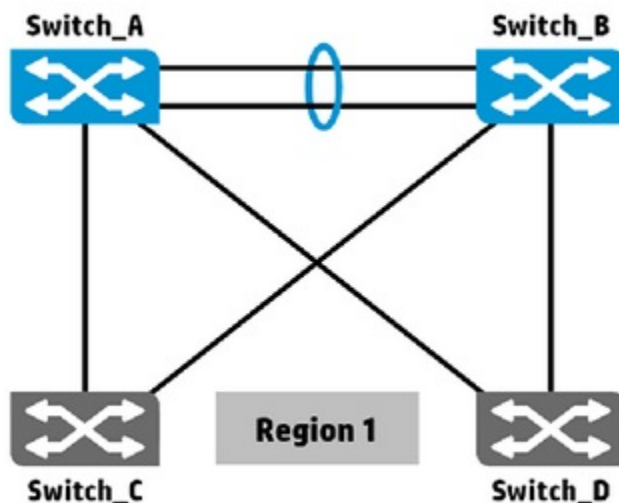
The exhibit shows the physical connection between two HP Comware switches and a server. The network administrator is concerned about redundancy and wants to implement a solution like that shown on the right side of the exhibit. The administrator plans to use an LACP link aggregation with both links active. What must the administrator do first?

- A. Configure an LACP link aggregation between the switches.
- B. Combine the switches into an Intelligent Resilient Framework (IRF) virtual switch.
- C. Enable dynamic link aggregation globally on the switches.
- D. Configure the same operational key on both the switches.

Answer: C

Question: 2

Refer to the network exhibit



Switch_A and Switch_B are HP Comware switches currently in the same Multiple Spanning Tree Protocol

(MSTP) region with the following MSTP configuration:

- Region name: HP
- Revision number: 1
- Instance 1: VLANs 10 and 11
- Instance 2: VLANs 12 and 13
- Instance 0: VLANs 1-9 and 14-4094

MSTP is operating correctly on Switch_A and Switch_B. Switch_C and Switch_D are new Comwareswitches and have been added to the network. The links between the switches are trunks, where VLAN 1 is the PVID and all other VLANs are permitted on the trunks. The only STP command executed on the two new switches is stp enable.

Based on this information, what is the resulting Layer 2 topology?

- A. Only one uplink from each new switch will be utilized.
- B. A Layer 2 loop will result, creating a broadcast storm.
- C. All uplinks are blocked until the new switches have MSTP configured correctly.
- D. Both uplinks from the new switches are utilized but load sharing is inefficient.

Answer: D

Question: 3

A network administrator is planning to add redundant links to a topology with HP Provision switches. What correctly describes the default support for spanning tree?

- A. Spanning tree is enabled and operating in RSTP mode.
- B. Spanning tree is enabled and operating in PVST mode.
- C. Spanning tree is disabled.
- D. Spanning tree is enabled and operating in MSTP mode.

Answer: C

Explanation:

Feature	Default Setting
Spanning-tree mode	PVST (MSTP and RSTP are disabled).

Reference:http://www.cisco.com/c/en/us/td/docs/switches/lan/catalyst2950/software/release/12-1_9_ea1/configuration/guide/scg/swmstp.html

Question: 4

Which technology allows 802.11n to scale up to speeds of 600 Mbps?

- A. Wi-Fi Protected Access (WPA)
- B. Dynamic Frequency Selection (DFS)
- C. Spatial Multiplexing (SM)
- D. Multiple-Input Multiple-Output (MIMO)

Answer: D

Explanation:

802.11n data rates depend upon AP configuration; reaching 600 Mbps requires 4x4 MIMO (multiple-input multiple-output)

Reference:<http://searchnetworking.techtarget.com/tip/How-to-reach-maximum-80211n-speed-and-throughput>

Question: 5

A company is setting up a wireless network, and the network administrator wants to enforce the strongest security possible. Which wireless security should the administrator use?

- A. 802.1X with WPA2
- B. WPA2 with preshared key
- C. WPA with preshared key
- D. MAC-auth

Answer: B

Explanation:

WPA2 is the final version of Wi-Fi Protected Access. It's the most secure option available and the one you should be using.

Reference: <http://www.makeuseof.com/tag/wpa2-wep-and-friends-whats-the-best-way-to-encrypt-your-wi-fi/>