

# **HP**

## **HPE6-A47 Exam**

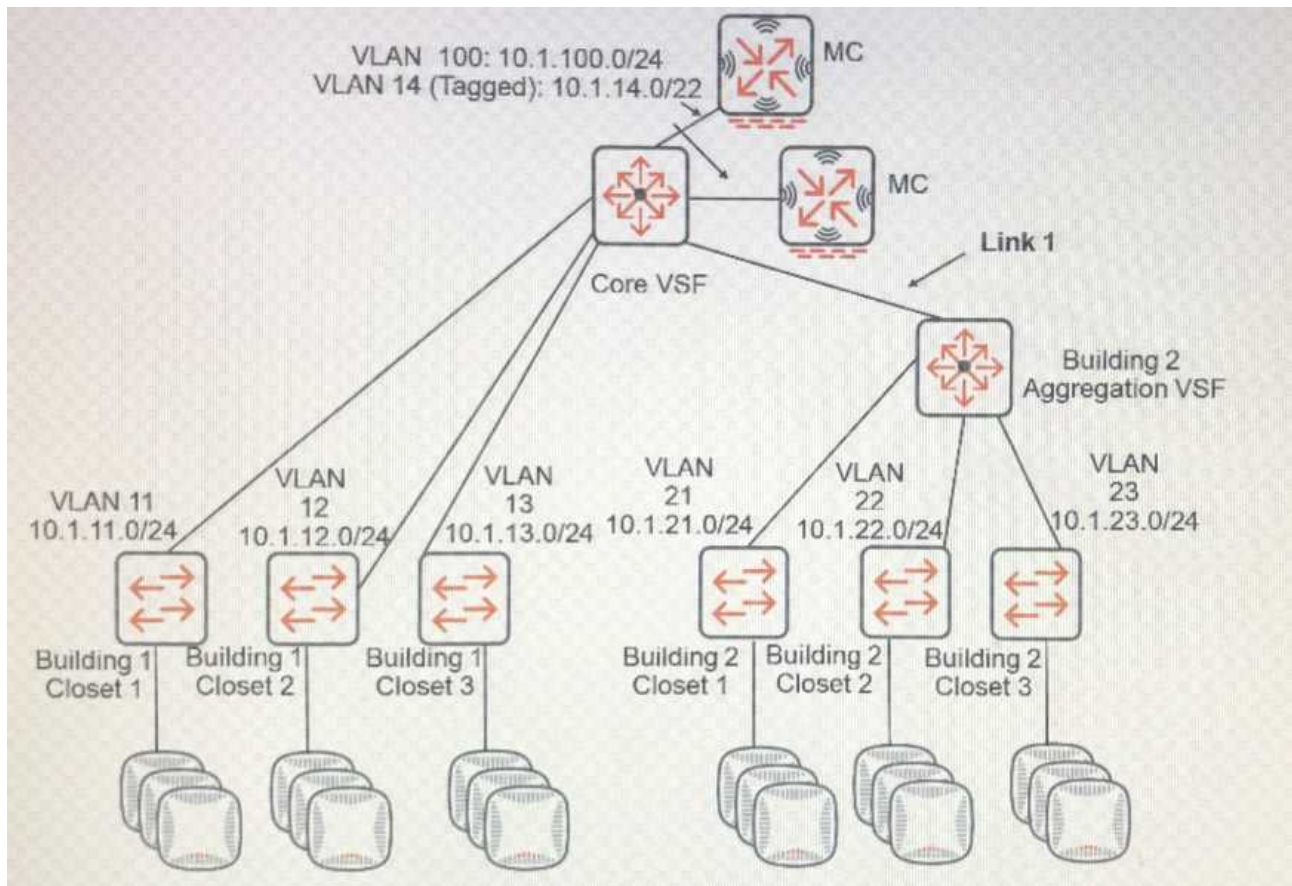
### **Designing Aruba Solutions**

### **Questions & Answers Demo**

# Version: 7.0

## Question: 1

Refer to the exhibit.



The customer needs to expand its wired and wireless network to a new building, Building 2, which is near the existing building, Building 1. The exhibit shows the logical plan that the architect has created so far. The aggregation layer switches in the new building should provide the default gateway services for the VLANs in the new building and route traffic to the core. The existing Aruba Mobility Controllers (MCs) will control the new APs.

What should be the VLAN assignment for Link 1, indicated in the exhibit?

- A. an unused VLAN such as 200
- B. VLANs 21, 22, and 23 only
- C. VLANs 11, 12, 13, 21, 22, and 23
- D. the default VLAN and VLAN 14

**Answer: C**

---

**Question: 2**

---

Read this scenario thoroughly, and then answer each that displays on the right side of the screen.

An architect proposes these products for a customer who wants a wireless and wired upgrade:

1. Aruba 2930M switches at the access layer
2. Aruba 5406R switches at the core
3. Aruba AP-325s
4. Aruba 7205 Mobility Controllers (MCs), deployed in a cluster
5. Aruba Mobility Master (MM)
6. Aruba ClearPass Cx000V
7. Aruba AirWare

The architect also needs to propose a security plan for the solution. The customer has 900 employees and up

to 30 guests a day. The customer wants to protect the internal perimeter of the network with authentication and

simple access controls. The customer is most concerned about wireless security, but also wants to ensure that

only trusted users connect on the wire. However, the customer also wants all wired traffic to be forwarded

locally on access layer switches. The customer already has a third-party firewall that protects the data center.

The customer wants to use certificates to authenticate user devices, but is concerned about the complexity of

deploying the solution. The architect should recommend a way to simplify. For the most part users connect

company-issued laptops to the network. However, users can bring their own devices and connect them to the

network. The customer does not know how many devices each user will connect, but expects about two or

three per-user. DHCP logs indicate that the network supports a maximum of 2800 devices.

Refer to the provided scenario. Which ClearPass licenses should the architect include in the proposal?

- A. 1,000 Access licenses and 1000 Onboard licenses
- B. 1,000 Access licenses and 3,000 (3x1000) Onboard licenses
- C. 3,000 Access licenses (3x1000) and 1000 Onboard licenses
- D. 3,000 Access licenses and 3,000 (3x1000) Onboard licenses

---

**Answer: B**

---

---

**Question: 3**

---

Read this scenario thoroughly, and then answer each that displays on the right side of the screen.

An architect proposes these products for a customer who wants a wireless and wired upgrade:

1. Aruba 2930M switches at the access layer
2. Aruba 5406R switches at the core
3. Aruba AP-325s
4. Aruba 7205 Mobility Controllers (MCs), deployed in a cluster

5. Aruba Mobility Master (MM)

6. Aruba ClearPass Cx000V

7. Aruba AirWare

The architect also needs to propose a security plan for the solution. The customer has 900 employees and up

to 30 guests a day. The customer wants to protect the internal perimeter of the network with authentication and

simple access controls. The customer is most concerned about wireless security, but also wants to ensure that

only trusted users connect on the wire. However, the customer also wants all wired traffic to be forwarded

locally on access layer switches. The customer already has a third-party firewall that protects the data center.

The customer wants to use certificates to authenticate user devices, but is concerned about the complexity of

deploying the solution. The architect should recommend a way to simplify. For the most part users connect

company-issued laptops to the network. However, users can bring their own devices and connect them to the

network. The customer does not know how many devices each user will connect, but expects about two or

three per-user. DHCP logs indicate that the network supports a maximum of 2800 devices.

Refer to the provided scenario. Based on the plan for wired authentication, what is a correct plan for wired user

VLANs?

A. use the MCs to assign wired users to their VLANs, and extend the VLANs to a Layer 3 switch connected to

the MC

B. specify the VLANs in network policies on AirWare, and ensure that both the switches and MCs are managed by AirWare

C. assign wired users to different VLANs from wireless users, based on port or role assignments on access layer switches. Extend the VLANs to the core.

D. configure the same roles on switches and MCs to place wired and wireless users in the same VLANs. Extend VLANs from access layer switches to the core.

---

**Answer: C**

---

---

### **Question: 4**

---

Read this scenario thoroughly, and then answer each that displays on the right side of the screen.

An architect proposes these products for a customer who wants a wireless and wired upgrade:

1. Aruba 2930M switches at the access layer

2. Aruba 5406R switches at the core

3. Aruba AP-325s

4. Aruba 7205 Mobility Controllers (MCs), deployed in a cluster

5. Aruba Mobility Master (MM)

6. Aruba ClearPass Cx000V

7. Aruba AirWare

The architect also needs to propose a security plan for the solution. The customer has 900 employees and up

to 30 guests a day. The customer wants to protect the internal perimeter of the network with authentication and

simple access controls. The customer is most concerned about wireless security, but also wants to ensure that

only trusted users connect on the wire. However, the customer also wants all wired traffic to be forwarded

locally on access layer switches. The customer already has a third-party firewall that protects the data center.

The customer wants to use certificates to authenticate user devices, but is concerned about the complexity of

deploying the solution. The architect should recommend a way to simplify. For the most part users connect

company-issued laptops to the network. However, users can bring their own devices and connect them to the

network. The customer does not know how many devices each user will connect, but expects about two or

three per-user. DHCP logs indicate that the network supports a maximum of 2800 devices.

Refer to the provided scenario.

Which solution should the architect recommend on the 2930M switches to authenticate and control wired

employee devices?

- A. MAC-Auth on edge ports and no tunneled node
- B. 802.1X on edge ports and per-user tunneled node
- C. 802.1X on edge ports and no tunneled node
- D. Mac-Auth on edge ports and per-user tunneled node

---

**Answer: A**

---

---

### **Question: 5**

---

An architect needs to choose between an Aruba Mobility Controller (MC) 7010 or 7024. Which customer need

indicates that the 7024 is a better choice than the 7010?

- A. the need to support 2000 users or devices
- B. the need to support PoE+
- C. the need to manage 20 APs
- D. the need to connect 20 APs directly to the MC

---

**Answer: A**

---

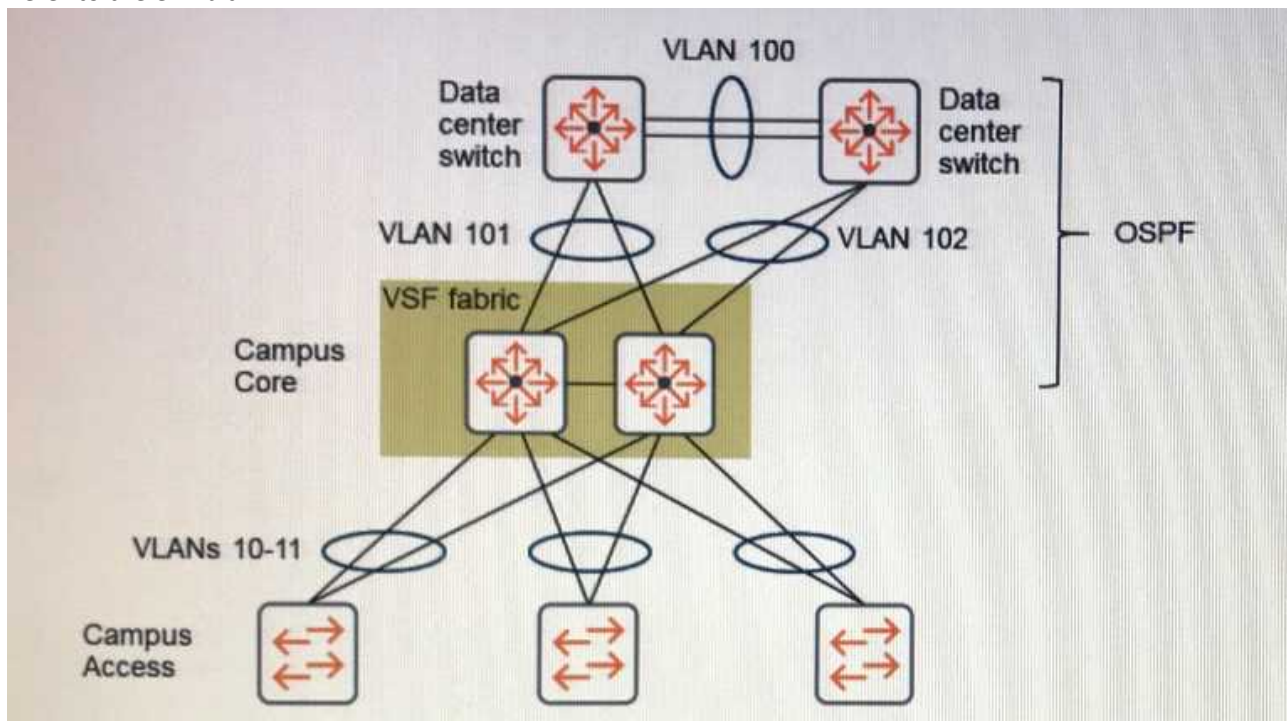
**Question: 6**

A customer has very high availability requirements for wireless services. The architect plans to implement clustering on several Aruba Mobility Controllers (MCs). Which benefit of this feature should the architect explain?

- A. Clustering provides wireless client load balancing and seamless failover for client sessions.
- B. Clustering provides high stability because one MC is active for all sessions and one is standby for all sessions.
- C. Clustering enables an AP with a failed MC to operate on its own briefly to ensure seamless connectivity.
- D. Clustering enables an AP with a failed MC to reconnect to a new AP after a short bootstrap.

**Answer: B****Question: 7**

Refer to the exhibit.



The customer requires fast failover if any one link or core device fails. Which additional technology should the architect plan on the core VSF fabric to meet these criteria?

- A. OSPF graceful restart
- B. SmartLink
- C. BGP
- D. VRRP

---

**Answer: C**

---