

HP

HPE6-A75 Exam

Aruba Certified Edge Professional

Questions & Answers

Demo

Version: 4.0

Question: 1

Refer to the exhibit.

```
Switch# ping 10.1.10.5
10.1.10.5 is alive, time = 3 ms

Switch# show radius authentication

Status and Counters - RADIUS Authentication Information

NAS Identifier           : Access-1
Invalid Server Addresses : 0
                        UDP
Server IP Addr  Port  Timeouts  Requests  Challenges  Accepts  Rejects
-----
10.1.10.5      1812  6         3         0           0        0
```

A network administrator sets up 802.1X authentication to a RADIUS server on an AOS-Switch. The RADIUS server and user devices are both set up to use REAP MSCHAPv2. The administrator tests the authentication and sees the output shown in the exhibit. Which issue could cause this output?

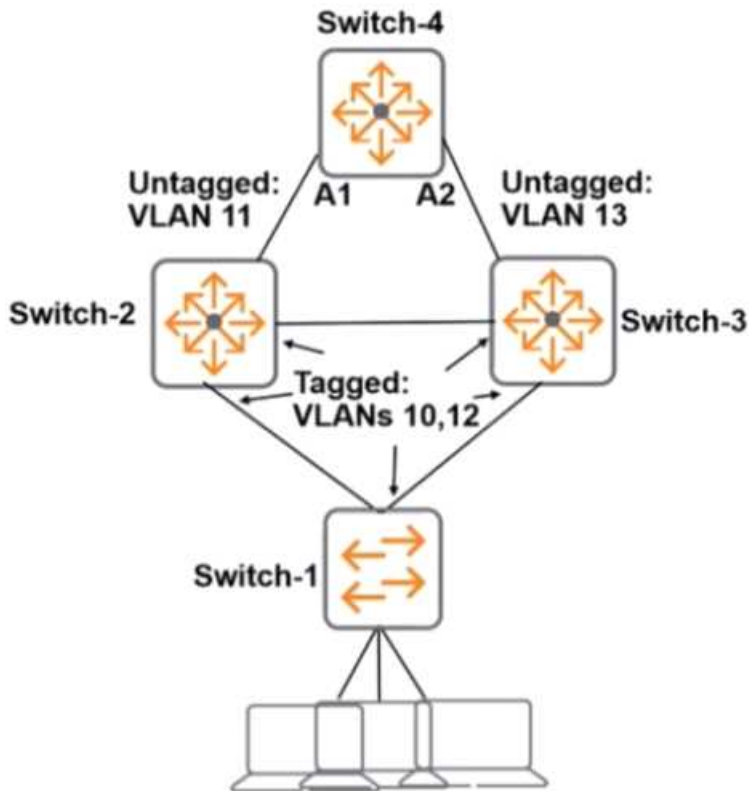
- A. The RADIUS shared secret does not match on the switch and the server.
- B. The administrator entered the wrong password for the test account.
- C. The switch does not have a certificate for port-access installed on the switch.
- D. The switch port is set for user mode 802.1X, but the RADIUS server is set for port mode.

Answer: A

Question: 2

Refer to the exhibits.

Exhibit 1



```

Switch-1(config)# spanning-tree
Switch-1(config)# spanning-tree mode rapid-pvst
Switch-1(config)# spanning-tree vlan 10-13 enable

Switch-2(config)# spanning-tree
Switch-2(config)# spanning-tree mode rapid-pvst
Switch-2(config)# spanning-tree vlan 10-13 enable
Switch-2(config)# spanning-tree vlan 10-11 priority 0
Switch-2(config)# spanning-tree vlan 12-13 priority 1

Switch-3(config)# spanning-tree
Switch-3(config)# spanning-tree mode rapid-pvst
Switch-3(config)# spanning-tree vlan 10-13 enable
Switch-3(config)# spanning-tree vlan 10-11 priority 1
Switch-3(config)# spanning-tree vlan 12-13 priority 0

Switch-4(config)# spanning-tree
Switch-4(config)# spanning-tree mode rapid-pvst
Switch-4(config)# spanning-tree vlan 10-13 enable
    
```

The network administrator enters the commands shown in Exhibit 2. What is the spanning tree status on A1 and A2?

- A. A1 towards traffic, and A2 blocks traffic.
- B. Both A1 and A2 block traffic.
- C. A1 blocks traffic, and A2 forwards traffic.
- D. Both A1 and A2 forward traffic

Answer: D

Question: 3

A company has AOS-Switches deployed at sites with inexperienced IT staff. The main office network administrators want to track if configurations change on branch switches. What should be set up for this purpose?

- A. an SNMP trap
- B. an RMON alarm
- C. an auto-config server
- D. an IP SLA profile

Answer: A

Question: 4

A network administrator configures VSF settings on two Aruba 2930F switches. The switches form two separate VSF fabrics. What should the administrator check?

- A. that the domain ID matches on both switches
- B. that each switch is assigned a unique VSF priority
- C. that the switch with the lower priority has the lower member ID
- D. that LLDP MAD is configured on both members

Answer: C

Question: 5

Refer to the exhibit.

Exhibit 1

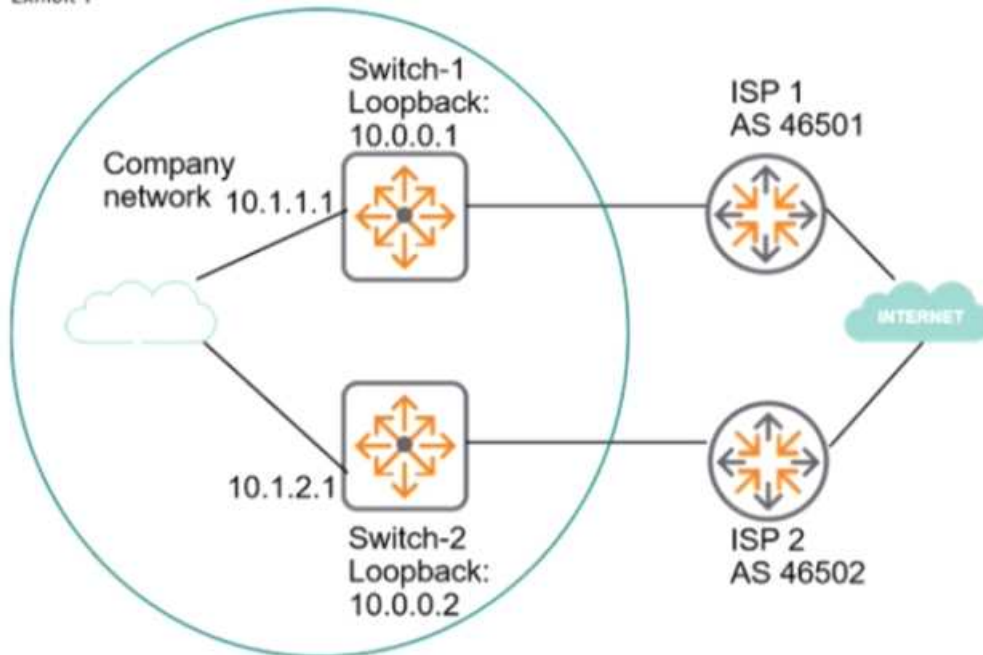


Exhibit 2

```
Switch-1# show ip bgp summary
```

```
Peer Information
```

Remote Address	Remote-AS	Local-AS	State	Admin Status
10.0.0.2	46500	46500	Connect	Start

```
Switch-1# show running-config router bgp
```

```
Running configuration:
router bgp 46500
  enable
  neighbor 10.0.0.2 remote-as 46500
exit
```

```
Switch-2# show ip bgp summary
```

```
Peer Information
```

Remote Address	Remote-AS	Local-AS	State	Admin Status
10.0.0.1	46500	46500	Connect	Start

```
Switch-2# show running-config router bgp
```

```
Running configuration:
router bgp 46500
  enable
  neighbor 10.0.0.1 remote-as 46500
exit
```

The network administrator needs to set up BGP between the two company switches. Switch-1 and

Switch-2. The BGP connection does not establish. Based on the exhibits, what does the administrator need to do to fix the issue?

- A. Enable the multihop option for the neighbor on each of the switches.
- B. Enter the network command for 10.0.0.0/24 in the router BGP mode on each switch.
- C. Enable BGP on the interfaces that the switches use to reach each other.
- D. Set the update source for the neighbor to the local loopback interface on each switch.

Answer: D
