

# **Juniper**

## **JN0-648 Exam**

**Juniper Enterprise Routing and Switching Professional (JNCIP-  
ENT) Exam**

**Questions & Answers  
Demo**

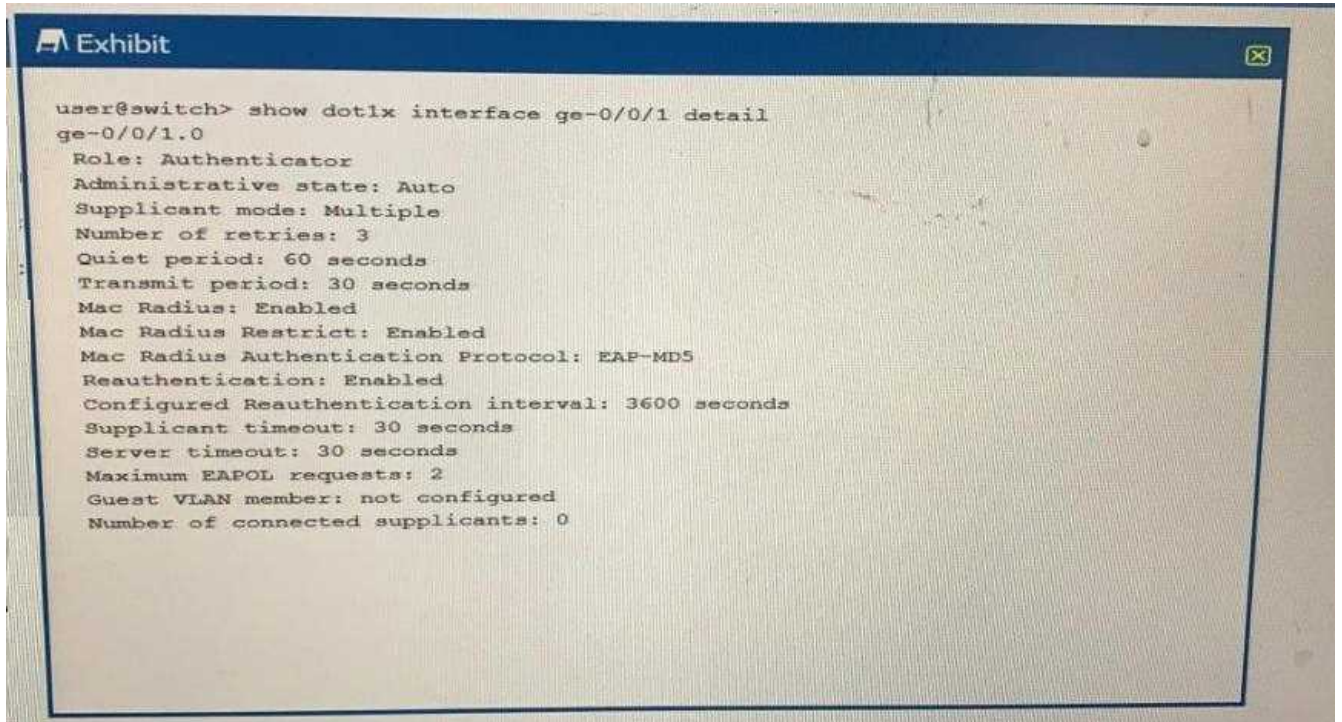
# Version: 7.0

---

## Question: 1

---

Exhibit:



```
user@switch> show dot1x interface ge-0/0/1 detail
ge-0/0/1.0
Role: Authenticator
Administrative state: Auto
Supplicant mode: Multiple
Number of retries: 3
Quiet period: 60 seconds
Transmit period: 30 seconds
Mac Radius: Enabled
Mac Radius Restrict: Enabled
Mac Radius Authentication Protocol: EAP-MD5
Reauthentication: Enabled
Configured Reauthentication interval: 3600 seconds
Supplicant timeout: 30 seconds
Server timeout: 30 seconds
Maximum EAPOL requests: 2
Guest VLAN member: not configured
Number of connected supplicants: 0
```

Which two statements are true about the 802.1X output shown in the exhibit? (Choose two.)

- A. EAPoL traffic will not be sent out of the use ge-0/0/1 interface
- B. EAPoL traffic will be sent out of the ge-0/0/1 interface.
- C. The supplicant is authenticated using 802.1X
- D. The supplicant is not authenticated using 802.1X

---

**Answer: BD**

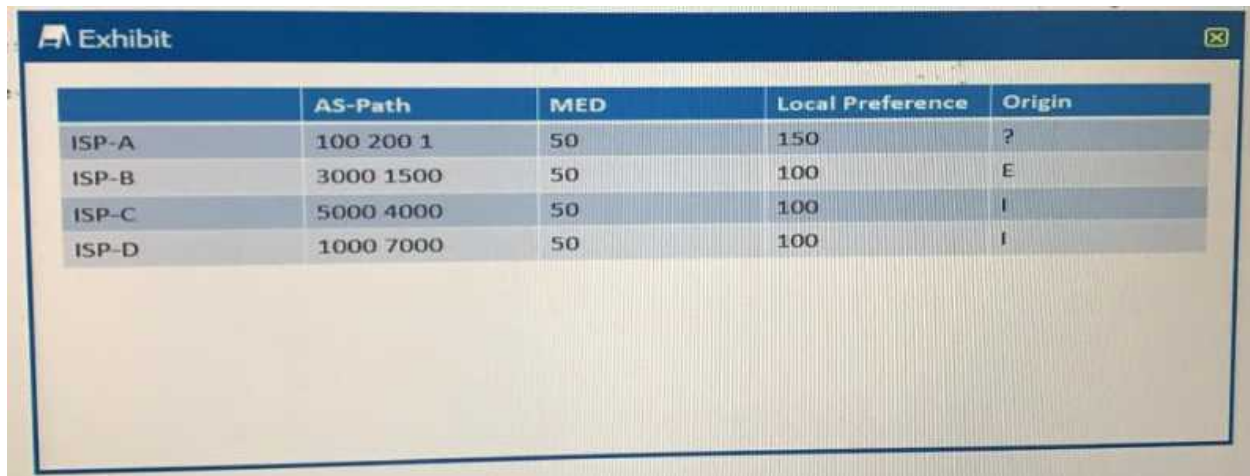
---

---

## Question: 2

---

You receive the same 100.200.0/16 route from all four ISPs to which you are connected. Referring to the exhibit, which ISP's route will be selected as active?



	AS-Path	MED	Local Preference	Origin
ISP-A	100 200 1	50	150	?
ISP-B	3000 1500	50	100	E
ISP-C	5000 4000	50	100	I
ISP-D	1000 7000	50	100	I

- A. ISP-A
- B. ISP-B
- C. ISP-C
- D. ISP-D

---

**Answer: A**

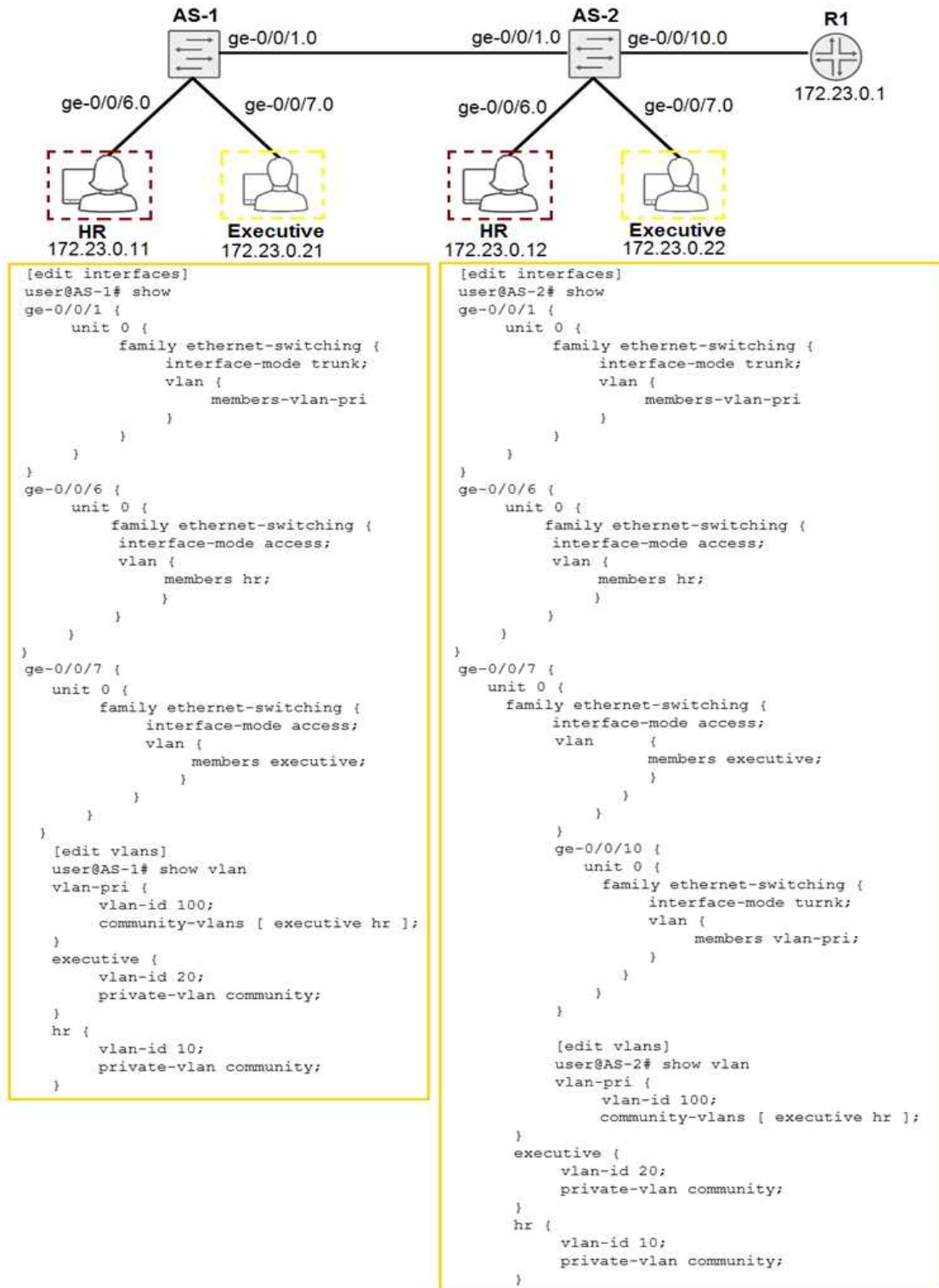
---

---

**Question: 3**

---

Click the Exhibit button.



You recently implemented the configuration shown in the exhibit. After committing these changes, the community devices connected to AS-1 are not able to communicate with the appropriate community devices connected to AS-2.

What must be done to allow these community devices to communicate?

- A. You must configure to allow the ge-0/0/1 interface on AS-1 as the inter-switch.
- B. You must configure the ge-0/0/10 interface on AS-1 as the inter-switch link.
- C. You must configure the ge-0/0/1 interface on both switches the inter-switch links.
- D. You must configure an isolation VLAN ID under the vlan-pri vlan on the AS-2 switch.
- D. You must configure an isolation VLAN ID under the vlan-pri VLAN on both switches.

---

**Answer: C**

---

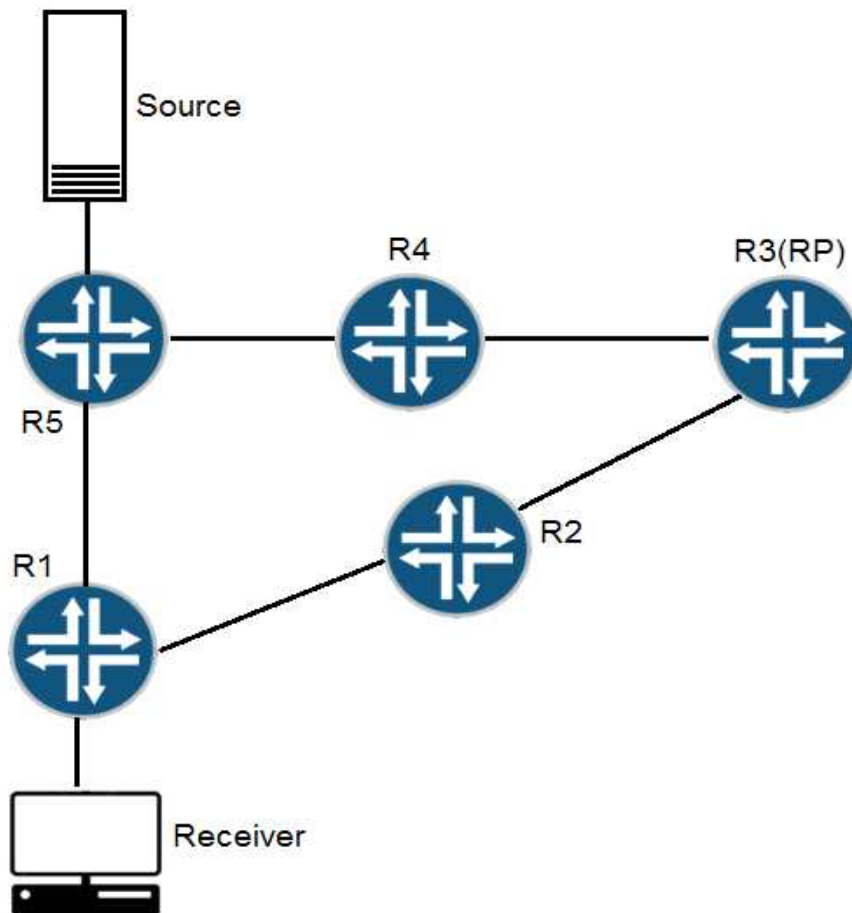


---

**Question: 4**

---

Exhibit:



Referring to the exhibit, a RMSM network is set up to enable communication between multicast devices. Which statement is true in this scenario?

- A. After the formation of the shortest-path tree, a join message is sent from R2 to R1.
- B. After the formation of the shortest-path tree, a join message is sent from R1 to R5
- C. After the formation of the shortest-path tree, a prune message is sent from R1 to R2.
- D. After the formation of the shortest-path free, a prune message is sent from R1 to R5.

---

**Answer: C**

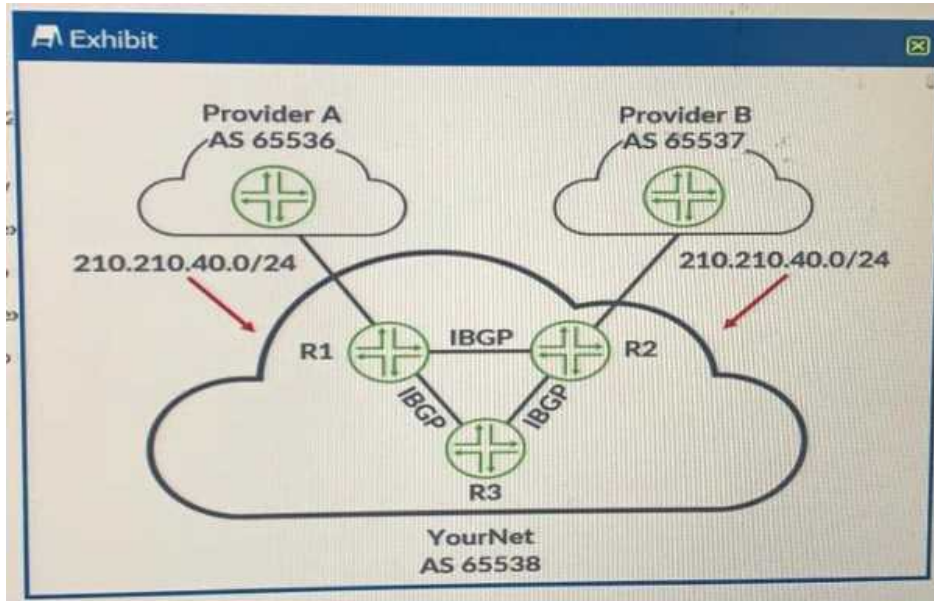
---

---

**Question: 5**

---

Exhibit:



YourNet is learning the 210.210.40.0/24 route from Provider A and Provider B. YourNet would like to forward traffic destined to the 210.210.40.0/24 network using Provider B. Referring to the exhibit, how would you accomplish this task?

- A. Add the well-known no-export community to the routes learned through R2.
- B. Apply an export policy to R1's IBGP peers to set a higher local preference.
- C. Add the well-known no-export community to the routes learned through R1.
- D. Apply an export policy to R2's IBGP peers to set a higher local preference.

---

**Answer: D**

---