

Juniper

JN0-662 Exam

juniper Networks Certified Internet Professional Exam Exam

Questions & Answers
Demo

Version: 8.0

Question: 1

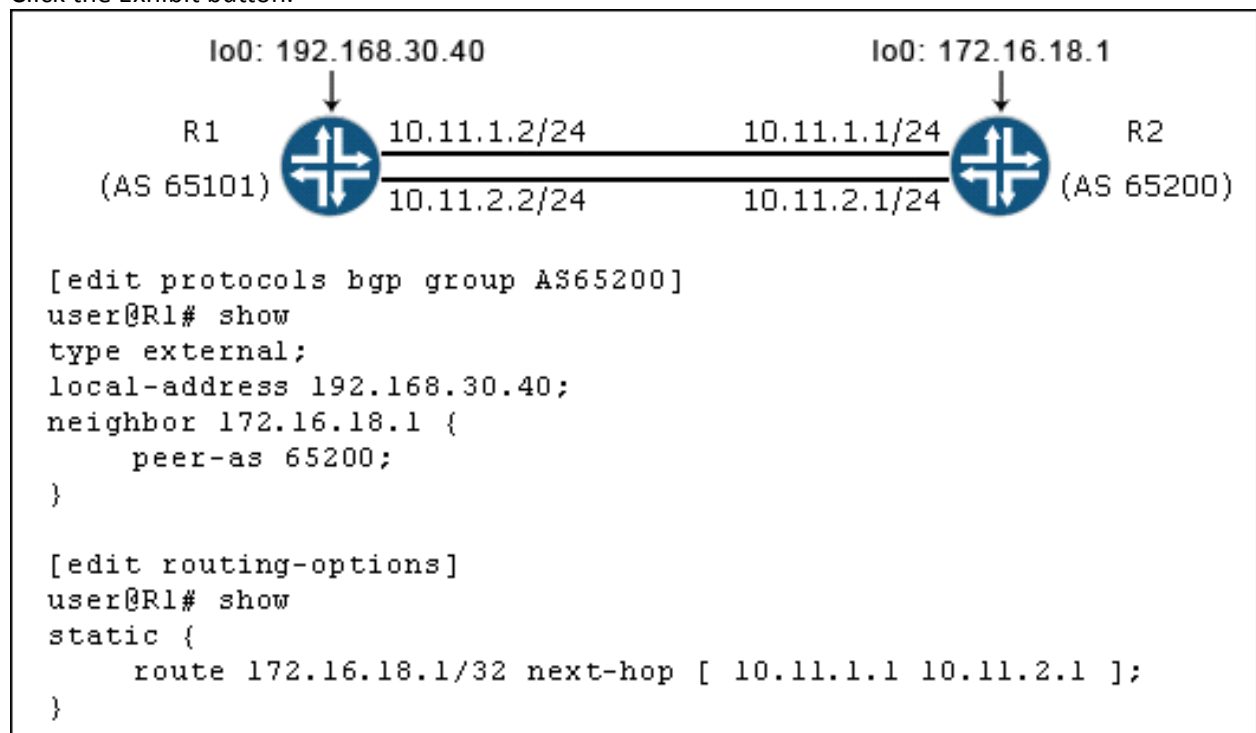
Which two types of LSAs have a domain scope? (Choose two.)

- A. Type 7
- B. Type 2
- C. Type 10
- D. Type 5

Answer: C,D

Question: 2

Click the Exhibit button.



Referring to the exhibit, what must be added to the existing configuration to ensure that per-prefix load balancing occurs?

- A. multihop

- B. keep all
- C. multipath
- D. family inet unicast

Answer: C

Question: 3

You are asked to configure a new Layer 3 VPN.
In this scenario, which routing-instance type must be used?

- A. vpls
- B. evpn
- C. vrf
- D. 12vpn

Answer: C

Question: 4

Which authentication strategy authenticates IS-IS hello PDUs only?

- A. interface authentication
- B. area authentication
- C. domain authentication
- D. level authentication

Answer: D

Question: 5

Click the Exhibit button.

```
[edit interfaces]
user@router# show
ge-1/0/0 {
  unit 0 {
    family inet {
      filter {
        input inbound_filter;
        output outbound_filter;
      }
      policer {
        input inbound_policer;
        output outbound_policer;
      }
      address 10.10.100.1/24;
    }
  }
}
```

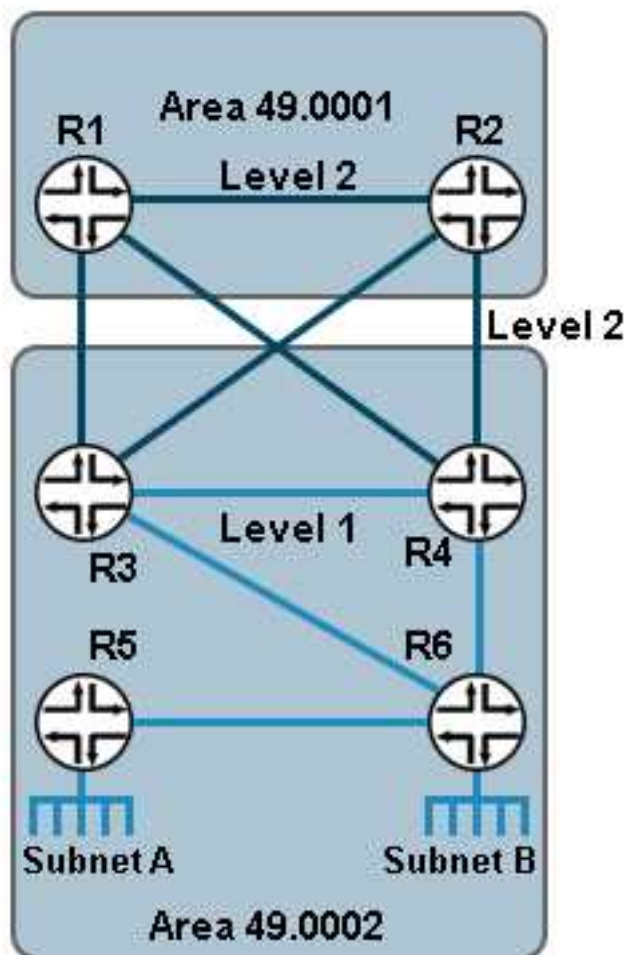
Referring to the exhibit, in which order will ICMP traffic be processed by the configured filters and policers for interface ge-1/0/0?

- A. input filter, input policer, output policer, output filter
- B. input policer, input filter, output policer, output filter
- C. input filter, input policer, output filter, output policer
- D. input policer, input filter, output filter, output policer

Answer: D

Question: 6

Click the Exhibit button.



R5 must advertise Subnet A into IS-IS so that Subnet A and Subnet B can communicate. Subnet B must be able to forward traffic to Subnet A and towards Area 49.0001. However, R5 should not be able to route traffic from Subnet A to Area 49.0001.

Referring to the exhibit, how would you solve this problem?

- A. Configure Level 2 on all links in Area 49.0002.
- B. Configure the set protocols isis ignore-attached-bit parameter on R5.
- C. Configure the set protocols isis overload parameter on R6.
- D. Configure an export policy on R6 to reject all routes except Subnet B towards R5.

Answer: B

Question: 7

Which transport mechanism is required for Layer 3 VPNs?

- A. GRE
- B. VXLAN
- C. IPsec

D. MPLS

Answer: D
